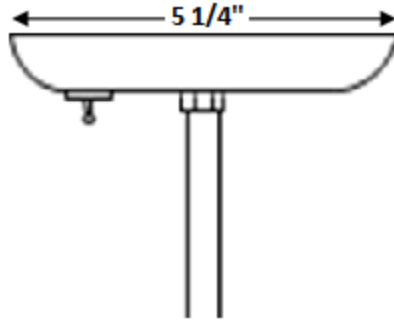




FOOD WARMER



MODEL: TSC

PREPARED BY: _____

TYPE: _____

JOB NAME: _____

DATE: _____

CERTIFICATION: UL Listed NSF Approved

BLC/TSC

CANOPY MOUNTED SWITCH

6A-125V, 3A-250V

Not available with Track Adapter (ADP) or Retractable Telephone Cord (PTB, PTW)

MODEL #	FINISH	LIGHT SOURCE				MOUNTING OPTIONS	ACCESSORIES
		INC					
TSC	Switch: Nickel	250WRC 250WCC 250WRU ¹ 250WCU ¹ 375WRC 375WCC 375WRU ¹ 375WCU ¹				BLC, WHC TCB, TCW FA12, FA18, FA24 ST12 AM11	TSC: Canopy Mounted Switch

* same finish color inside and out. 1. not NSF approved.

.SUBJECT TO MODIFICATION WITHOUT NOTICE.

